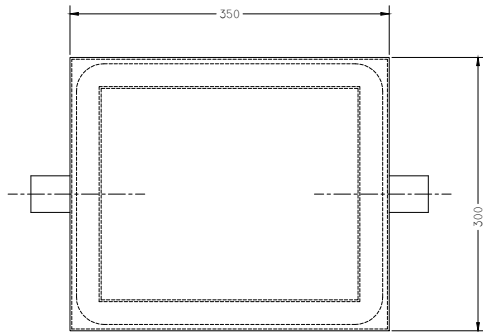


NOTES

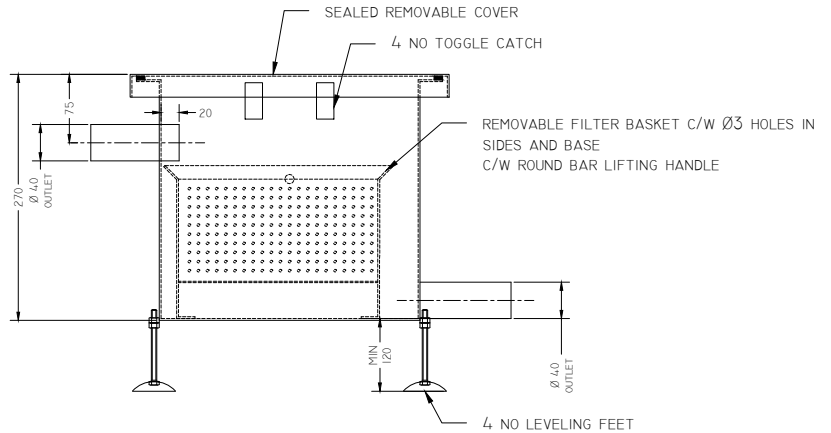
IF IN DOUBT ASK

DEBUR ALL SHARP EDGES

DO NOT SCALE



PLAN VIEW



SIDE VIEW

taylor made.ie
ANALYSIS • B3 TREATMENTS • COMPLIANCE

TAYLORMADE FACILITIES LIMITED
UNIT 1, THE STABLES
BALLYGOREY
MOONCOIN, CO. KILKENNY
VIA WATERFORD

<p>FIRST ANGLE PROJECTION</p>	<p>GENERAL TOLERANCES: 0-200MM ±0.5MM 200-1000MM ±1.0MM OVER 1000MM ±2.0MM ANGULAR ±0.5°</p>		<p>TITLE "FOOD CATCHER" TAYLOR MADE CLIENT</p>		<p>DRAWN BY CW DATE 24/06/15 SCALE NTS DIMENSIONS MM</p>		<p>QUANTITY TBA MATERIAL 304 S/S FINISH DIPPED</p>							
	FILENAME APP695I_B	DRG. NO. APP695I_01	REV B	SHEETS QQQ					B	O/ALL DIMENSIONS REVISED	CW	CW	25/06/15	
									A	FOR INFORMATION	CW	CW	24/06/15	
APPROVED BY:									REV	DESCRIPTION	BY	APP.	DATE	